

// New expressive panelled styles



# Up-and-Over Garage Doors

Europe's best-selling garage door







Hörmann Quality Features	4
<b>Only from Hörmann – The Advantages</b>	7
Steel Doors with Ribbed Styles	8
Steel Doors with Panelled Styles	12
Doors with Solid Timber Infill	14
Design-Line Doors with Solid Timber Infill	16
Open-for-Infill Door	18
Colours and Surface Finishes	20
Glazing and Handles	22
The Full Range of Steel Designs at a Glance	24
Door Renovations	26
Automatic Doors with Electric Operator	28
Safety Features	30
Door Sizes, Fitting Dimensions	32
Overview of Product Range	38

For more information on up-and-over doors and other high-quality Hörmann products, visit [www.hoermann.com](http://www.hoermann.com).

Some of the doors shown in this brochure have special features and therefore do not always represent the standard version.

Due to the limitations of the printing process, the colours and surface finishes shown cannot be regarded as binding.

Copyright. No part of this brochure may be reproduced without our permission. Subject to changes.

**"A good name has to be earned."**

August Hörmann, Founder, 1886–1944



## Our Name, Your Promise

You can trust Hörmann brand quality

As number 1 in Europe with over 13 million doors sold, only Hörmann can provide the true up-and-over door. In line with the philosophy of the company's founder, the Hörmann brand remains a guarantee for quality. With sophisticated technology, numerous styles, and convenient and reliable operation, Hörmann has been setting standards for over 50 years.

## Everything from one source in a quality without compromise

### Made in Germany

All doors and operator components are developed and manufactured by Hörmann. Our highly-qualified employees work intensively on new products, continual further developments, and improvements to detail. Patents and unique products on the market are the result of this. Endurance tests under real-life conditions ensure mature series products with Hörmann quality.

### Certified brand quality

Hörmann doors and operators are thoroughly adapted to each other and tested and certified by independent, recognised institutes to ensure your safety. They are produced in accordance with the quality management system DIN ISO 9001 and fulfil all the requirements of European standard 13241-1. For more information on safety, please see pages 30-31.

### Be environmentally aware

Responsible use of resources and uncompromising implementation of environmental protection regulations are two of Hörmann's traditional top priorities. We have substantially reduced the energy required for production through ultra-modern systems and by using improved, environmentally-friendly processes. Hörmann will continue to follow this philosophy in the future.

### Long-term performance

Thanks to excellent technical solutions and uncompromising quality assurance, you receive a 10 year warranty on all Up-and-over garage doors and 5 years on all Hörmann operators.



\* The complete warranty conditions can be found under: [www.hoermann.com](http://www.hoermann.com).





# Experience is the foundation of innovation

**Sophisticated, high-quality doors for reliable and convenient operation**

Thanks to over 50 years experience in manufacturing doors, Hörmann has the expertise to optimise its products down to the smallest detail. Our in-house research and development department continually works on this ambitiously: They are motivated to constantly come up with further developments to improve the appearance, function, reliability and safety of our doors. Benefit from this expertise and from Hörmann's exclusive innovations.

## Safety and convenience for you and your family

### You can be completely sure

Flexible protective caps (Fig. 1) on the lever arm are just one example of the numerous safety options for our up-and-over doors. They completely cover the hazard area, thus preventing accidental crushing or trapping. Only Hörmann's up-and-over doors have such a high safety standard.

### Safety in numbers

The multiple spring system (Fig. 2) reliably secures the door against falling. If one of the springs breaks, the other intact springs support the door. The distance between the spring windings is so minimal that even children's fingers are protected from getting caught.

### Conveniently closed

When closing, a specially-formed lever arm (Fig. 3) presses the door against the frame tightly and pulls itself closed, leaving no gap between the door and frame. The door is tightly closed on all sides.

### Improved security

The unique rotary catch lock (Fig. 4) in Hörmann's up-and-over doors firmly fixes the corners of the door leaf to the frame, locking it much more securely than a common bolt lock. It is practically impossible to force the door open. You yourself can additionally equip the door with a top locking using an optional retrofitting kit.

### Individual operating convenience

To enable you to conveniently and easily operate your automatic up-and-over door at any time, Hörmann offers the suitable mobile and stationary high-quality accessories for all fitting situations. Micro hand transmitters, code switches, finger-scans, and even special solutions such as emergency batteries. More information on Hörmann garage door operators and our comprehensive range of accessories can be found on page 29, in the special brochures and on the Internet at [www.hoermann.com](http://www.hoermann.com).





## A classic with a timeless appearance

Steel doors with ribbed and panelled styles

The modern appearance of our popular up-and-over doors with horizontal or vertical lines always convinces. The highest material quality ensures a long service life and continual protection against corrosion.



## Steel doors

### The straightforward ribbed styles



**Style 902**  
Door width up to 5000 mm  
Wicket door and side door  
also available



**Style 968**  
Door width up to 2750 mm



**Style 984**  
Vertical steel panel  
Door width up to 5000 mm  
Side door also available



**Style 985**  
Horizontal steel panel  
Door width up to 5000 mm  
Side door also available



The elegant style 984 harmonizes ideally with the straight lines of the entrance.



#### **Decograin® surfaces with the authentic appearance of real timber.**

The UV-resistant synthetic foil-coating on the outside of the steel door leaf with true-to-original appearance of natural timber remains beautiful for a long time and does not need to be painted. Decograin® surfaces are available for styles: 971, 973, 975, 977, 984 and 985.



# Up-and-over doors for free spirits

Setting accents with a clear and functional design

A free choice of colours and additional design elements such as surface-mounted friezes, chevron embossing or beautifully-shaped handles make it possible to create a truly individual door design.

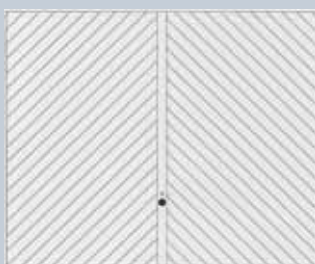
## Steel doors The ribbed variants



**Style 941**  
Steel ribbing with  
surface-mounted frieze  
Door width up to 5000 mm  
Side door also available



**Style 957**  
Steel ribbing with  
centre and side profiles  
Door width up to 5000 mm  
Side door also available



**Style 990**  
Chevron steel ribbing  
Door width up to 5000 mm  
Side door also available



**Style 914**  
Steel ribbing with  
ventilation slots  
Door width up to 5000 mm  
Optimum for underground  
and collective garages

Hörmann also offers attractive entrance door styles in the colour CH 703 that match the up-and-over doors.



The chevron style 990 with a colour matching the architecture of the house. You can find more information on the numerous colour options on pages 20-21.



### High-quality polyester powder coating

The galvanized door leaves are optimally protected against adverse effects of the weather and corrosion right up to the cut edges, maintaining the beauty of the door for the long term.

**TIP:** Hörmann offers matching side doors for almost all up-and-over door styles.



## Shapely panelled styles

Compatible with the architecture of your home

With Hörmann's Design Line you stamp your own personal mark on your house and garage, thereby setting your property apart from the rest. Thanks to the many design variants with stylishly arranged elements, these Design-Line doors are guaranteed to catch the eye, particularly when combined with Hörmann Design-Line entrance doors.

## Steel doors The expressive panels



**Style 971**  
Door width up to 5000 mm  
Side door also available



**Style 975**  
Door width up to 5000 mm  
Side door also available



**Style 977**  
Door width up to 5000 mm  
Side door also available



**Style 979**  
Door width up to 2625 mm



**Style 973**  
Door width up to 5000 mm  
Side door also available

**A higher profile for a more expressive look**  
Our latest panelled styles have an even more expressive profile.





## The Beauty of Nature

Solid timber infills in exquisite quality

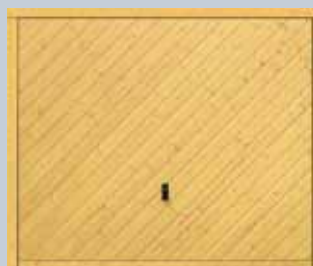
If timber determines the appearance of your home, then opting for a garage door in solid timber is the logical choice. Hörmann offers you a range of twelve different designs: vertically or horizontally boarded, in a chevron or rhombus style.

## Timber doors In Nordic Pine and Hemlock

The door shown has been stained by the builder to match the facade cladding.



◀ **Style 933**  
Door width up to 3000 mm  
Side door also available



▶ **Style 925**  
Door width up to 5000 mm  
Wicket door and side door also available



◀ **Style 934**  
Door width up to 5000 mm  
Wicket door and side door also available



▶ **Style 931**  
Door width up to 2750 mm  
Side door also available



◀ **Style 937**  
Door width up to 3000 mm  
Side door also available



▶ **Style 927**  
Door width up to 3000 mm  
Side door also available

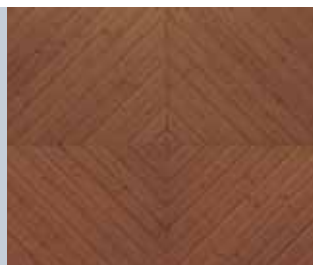


◀ **Style 936 basic**  
Door width up to 3000 mm  
Side door also available  
More information on this particularly affordable timber ribbed style can be found on page 21.



### Timber requires protection

Over the long term, the timber infill will need more protection than the colourless factory impregnation against insect and fungal attack can provide. This is why you should additionally treat the timber with a pigmented wood preservative to protect the door from adverse effects of the weather and UV rays. In doing so, you can varnish the timber to match your home's other timber elements.



Information on how to permanently protect the surface of your door can be found in our fitting instructions.

**TIP:** In the past, the entrance door was the sole “visiting card”, but now you can also create an eye-catching garage door design that is just as beautiful. Find out more about our lovely designs and numerous options!



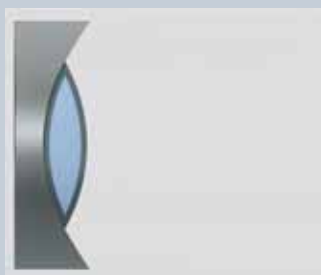
## The Exclusive Design-Line Timber Doors

Matches the entrance door

This tasteful range of styles has been developed for those with high demands. Numerous design options give you the room to create your own personal style. When painted in white and paired with exclusive metal and glass elements, our up-and-over doors become an attractive eye-catcher. This stylish look is completed by a matching entrance door.



## Garage Door and Aluminium Entrance Door with Stylish Stainless Steel Embellishments



**Style 41**  
Garage  
door



**Style 41 TC**  
Entrance  
door



**Style 45**  
Garage  
door



**Style 45 TC**  
Entrance  
door



**Style 62**  
Garage  
door



**Style 62 TC**  
Entrance  
door

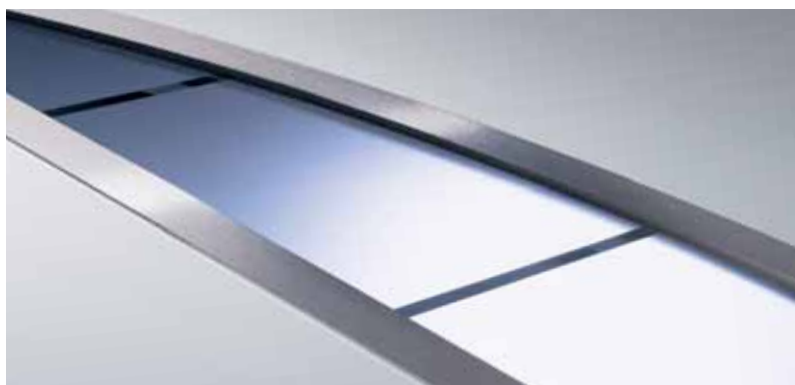


**Style 689**  
Garage  
door



**Style 689 TC**  
Entrance  
door

The door leaves consist of a multi-layer timber infill and are treated with 3 coats of silky matt paint in Pure white. The frame has already been coated by Hörmann with a white polyester powder-coating.



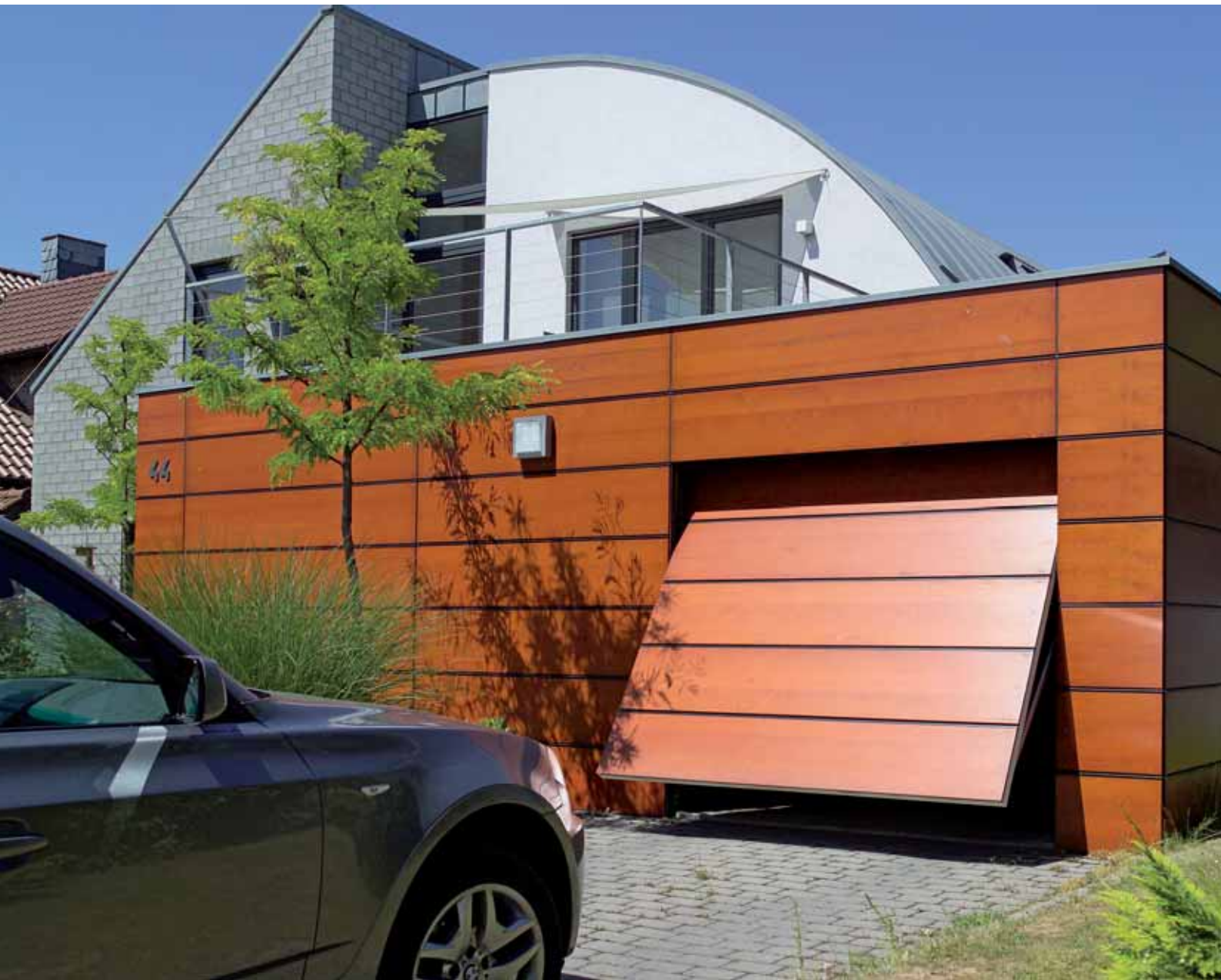
With four possible designs and stylishly arranged stainless steel and glass elements, Hörmann doors are the perfect expression of your excellent taste.

### **Design-Line doors are automatic doors**

Design and convenience are the hallmarks of these exclusive garage doors. That's why we supply them without a handle. The standard equipment does not include the necessary operator. We recommend Hörmann's new SupraMatic operator.

There is a slight difference in colour and degree of lustre between the garage doors and the entrance doors on account of the different materials used.

Make your garage door invisible. The door can be integrated seamlessly in your facade design with exclusive, flush-fitting panel cladding.



## Individual designs

The garage door for the highest architectural demands

With style 905, you can create a garage front to fit your own ideas and personal architectural style. A steel frame construction for on-site infill is a solid technical basis to build on. You can pick an infill to fit your individual style. No other garage door can be integrated so harmoniously into an overall discerning facade design.

## Steel doors for on-site infill

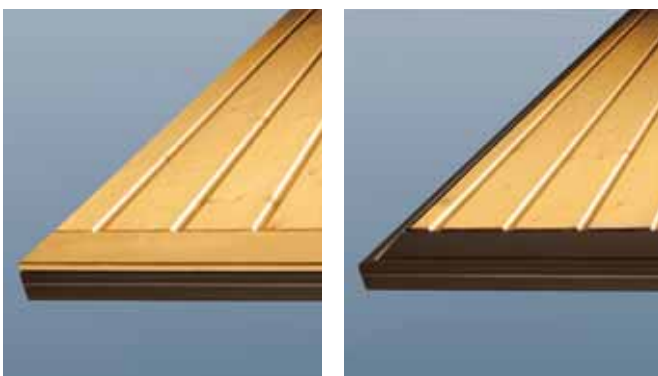


**Style 905**  
Door width up to 5000 mm  
Wicket door and side door  
also available

### This is the solid basis

- Extremely sturdy frame construction with reinforced struts Fully welded!
- Fully galvanized, door leaf frame additionally with high-grade polyester primer coating. (similar to RAL 8028).
- Frame and struts pre-drilled at 30 mm spacings.
- Illustrated fitting instructions with suggested designs

This door construction offers you two design options:



Infill overlapping the frame, whereby the frame and bottom section are entirely concealed.

Timber infill within the frame with visible bottom section to protect against spray water.

With style 905, door widths of up to 5 m are possible if the permissible infill weight is complied with. See also page 25.

## Colours and surfaces to choose: You decide

### Steel doors with coloured polyester primer powder coating

The galvanized door leaves are protected against corrosion and the adverse effects of the environment right into the cut edges.

#### In Traffic white as standard

Our steel styles are available in inexpensive Traffic white as standard, in 15 equally-priced preferred colours, as well as about 200 colours based on RAL. With the exception of pearl-effect, fluorescent and metallic colours.

As a rule, doors are delivered with the same colour on the inside and outside.



### Steel doors with Decograin® surface in a timber look

A UV-resistant synthetic foil-coating on the outside of the leaf combines the advantages of a steel door with the authentic look of natural wood. Thanks to special surface protection, this door stays beautiful for the long term.



Decograin® Golden Oak



Decograin® Rosewood

### Perfectly combined Matching garage doors and entrance doors

Matching the Hörmann entrance door styles, we can now supply Hörmann up-and-over doors in an exceptionally elegant-looking textured lacquer finish in CH 703 anthracite.



Textured paint CH 703, Anthracite

Decograin® surfaces are available with panelled styles: 971, 973, 975 and 977, as well as the steel panelled styles 984 and 985. You can find an overview of the different styles on pages 24-25.



## Timber doors in Softline design

All the styles (except style 936 basic) are supplied as standard with exclusive surface-mounted wood cladding on the door leaf and frame. On request, the frame can also be supplied without wood cladding

### Softline-Design because it looks so much better!

That's why all the timber boards are (120 x 14 mm) rounded. And that lends the timber designs their appealing aesthetics (not for design 936 basic).

### All the designs are available in two wood types



Nordic Pine



Hemlock



## Timber doors in 6 colours for timber doors

The silky surface of the solid timber door leaves has a triple colour coating, making it light-fast and weather-resistant (not with style 936 basic)

The door frame is powder-coated with a polyester primer: White for white and coloured garage doors, Terra Brown for stained timber doors.

Coloured timber doors are available in widths of up to 3000 mm and heights of up to 2500 mm.



Pure white



Pine yellow



Royal blue



Dove blue



Fir green



Light grey

## Timber door style 936 basic Our most competitively priced variant

The door cladding is made of Nordic pine timber round profile boards that have been smooth-planed. The back has been primer-coated and left partially rough-hewn. The profiled timber boards are fitted in a steel bottom section with bottom sheet.



All timber infill doors are supplied foil-wrapped to protect them during transit and site storage.

The colours shown are subject to the limitations of the printing process and cannot be regarded as binding.

Contact your Hörmann specialist dealer for advice regarding coloured doors.



Figure 4: 283 x 203 mm



Figure 5: 283 x 203 mm



Figure 6: 283 x 203 mm



Figure 21: 375 x 375 mm



Figure 23: 277 x 199 mm



Figure 24: 199 x 277 mm

**Glazing in steel infills**

Available for the designs: 902, 941, 957, 970 und 972 (except Decograin®).  
Weather-resistant synthetic material.

Colour: in a shade matching the colour off the garage door leaf. Glazing: **3 mm synthetic panes**, clear or crystal structure.

**Glazing in timber infills**

Figure 21 for the designs: 925, 927 and 931. Figures 23 and 24 for the designs: 933, 934, 936 and 937.

Material: timber, glazing: **3 mm. synthetic panes**, clear or crystal structure.

## Clear views with glazing

Additional glazing is more than just a design element. Incoming daylight saves energy and creates a more pleasant atmosphere, which is ideal if the garage is, for example, also used as a workshop.

Side doors are available with a round handle set in all the materials shown. As standard with lever handles on both sides or on request with lever/knob handle set.

The flush-fitting cylinder lock can also be mastered with other locks in your home.



Standard door handle:  
Black plastic



Standard side door handle: Round  
lever handle set, black



Cast aluminium, white  
(similar to RAL 9016)



Cast aluminium, brass finish



Brown cast aluminium



Cast aluminium, new silver finish



Polished stainless steel



Brushed stainless steel



## Beautiful handles accent the door

**This door handle created by designers and safety experts has a truly unique shape. Its ergonomic design gives it a safe and firm grip.**

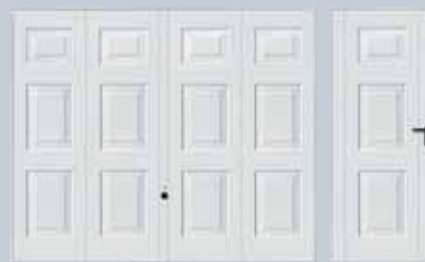
## An overview of the steel styles



**Style 902**  
Vertically ribbed steel



**Style 941**  
Ribbed steel with surface-mounted frieze



**Style 971**  
Panelled steel



**Style 968**  
Horizontally ribbed steel



**Style 957**  
Ribbed steel with central profile / side profiles



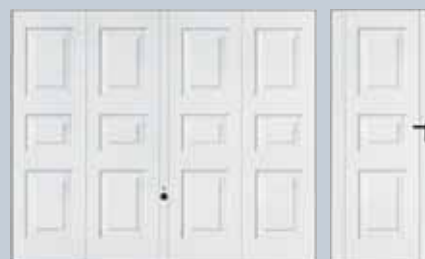
**Style 973**  
Panelled steel



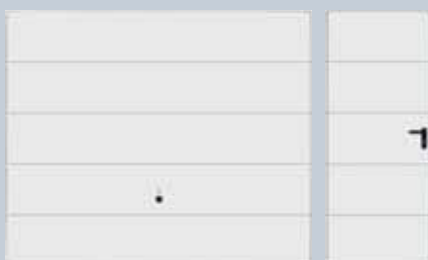
**Style 984**  
Vertically panelled steel



**Style 990**  
Ribbed steel, chevron style



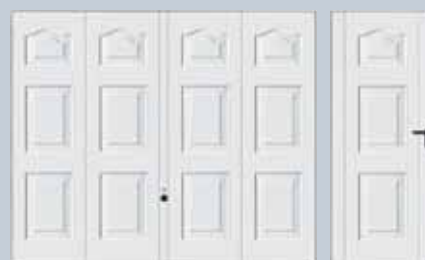
**Style 975**  
Panelled steel



**Style 985**  
Horizontally panelled steel



**Style 914**  
Ribbed steel with ventilation slots



**Style 977**  
Panelled steel



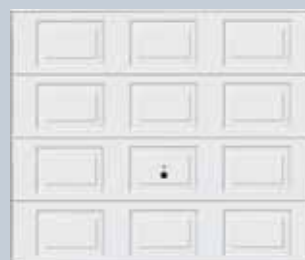
**Style 902 for double garages**

### Double garage doors

These door styles are available for DF 98 double garage doors up to a maximum door width of 5000 mm. See also pages 32-33.

### Doors with wicket door

Designs 902 and 905 are also available with an integral, outwards opening wicket door.



**Style 979**  
Panelled steel

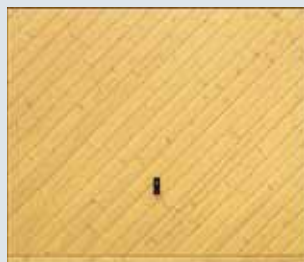
All of the shown side doors are also available in a double-leaf version.



## The timber and design styles



**Style 934**  
Vertical timber boarding



**Style 925**  
Diagonal timber boarding



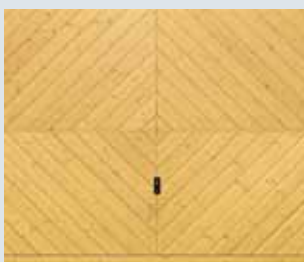
**Style 933**  
Horizontal timber boarding



**Style 931**  
Timber boarding, chevron style



**Style 937**  
Timber boarding with horizontal central profiles



**Style 927**  
Timber boarding, rhombus style



**Style 936 basic**  
Vertical timber boarding in Nordic Pine



**Style 905**  
Open-for-infill



Infill weight:  
Depending on the door size from 6 to 10 kg/m<sup>2</sup>,  
for double garage doors up to max. 16 kg/m<sup>2</sup>



**Style 41**  
Smooth timber infill



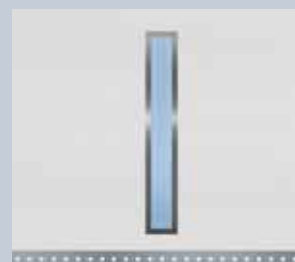
**Style 41 TC**  
Entrance door



**Style 45**  
Smooth timber infill



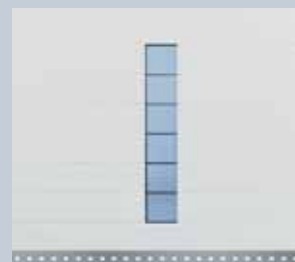
**Style 45 TC**  
Entrance door



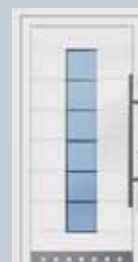
**Style 62**  
Smooth timber infill



**Style 62 TC**  
Entrance door



**Style 689**  
Smooth timber infill



**Style 689 TC**  
Entrance door

### Design door glazings

Styles 41, 45 and 689  
Single-pane safety glass  
in Parsol grey, sand blasted,  
for styles 45 and 689 with clear,  
horizontal stripes

Style 62  
Single-pane safety glass  
Mastercarré white

**TIP:** Hörmann has numerous standard modernisation sizes that have been adapted exactly to older doors, that are to be replaced. These standard sizes save you money and also make it possible to install your new automatic garage door even faster.



## Out with the Old - in with the New

Quick and clean and all on the same day

"We're delighted that everything has gone so well. From on-time delivery to fast and secure fitting and even commissioning of the door. After this positive experience, we have decided to replace the entrance door as well, which will also come from Hörmann."

## Replacing your door is easy

### Fascia panels and renovation panels

In the case of renovations, the structural opening can sometimes be higher and wider than the lower-priced standard-sized garage door. Hörmann solves this problem by offering aesthetically-pleasing top and side fascia panels to close the gaps. If masonry is damaged on removing the old garage door, a renovation panel provides a neat solution without the need for any further plastering.



### Bottom rubber strip for an unbroken flat floor line

With the flexible rubber strip in place, this will help keep out passing debris.



### Also purchase a matching operator

Opening the garage door is then much more convenient and automatic door locking secures it against forced opening.

## Up-and-Over Doors N80 and F80

**Ideal for renovating ready-built garages and blocks of garages**



### Renovate ready-built garages using competitively-priced standard sizes

There will come a time when you just can't face painting the old garage door any more, not to mention the daily inconvenience of having to open a hinged-leaf door. It's then worthwhile investing in a new Hörmann up-and-over door in one of the many competitively priced standard sizes. It comes powder-coated with a weather-resistant polyester primer, looks good and is much easier to open too.

- Quick and clean replacement of the garage door within the day
- 3 fitting methods to cover every installation situation
- Old doors are disposed of at the same time

Door sizes and fitting data can be found from page 32.

### ProMatic Akku

The solution for a garage door operator in pre-fabricated garages and garage blocks without a power connection: A portable battery supplies the operator with power and can be charged inside the house via a normal power socket.

### The solar module

You should also enquire about the ProMatic Akku solar module. This then saves you having to charge the accumulator manually.



**TIP:** Always on hand in your car – inconspicuously located in the cigarette lighter. An inexpensive alternative to integrated remote control systems. To operate either one (HSZ 1) or two (HSZ 2) functions.



## Systematic opening

Intelligent accessories for comfort and safety

When it comes to opening and closing garage doors, Hörmann offers a wide range of accessory components with numerous functions. Radio operation is either possible from within the vehicle or from any other mobile location. In addition, individual high-tech solutions, such as fingerprint recognition, increase safety and convenience.

## Comfort accessories



Mini hand transmitter  
HSM 4  
for 4 functions



Micro hand transmitter  
HSE 2  
for 2 functions,  
incl. key ring



Hand transmitter HSP 4 // **NEW**  
With button lock-out  
for four functions,  
incl. key ring



Hand transmitter HS 4  
for 4 functions



Hand transmitter HS 1  
for one function



Hand transmitter  
HSZ 1  
for one function  
Hand transmitter  
HSZ 2  
(not shown)  
for 2 functions



HSD 2-C  
glossy chrome  
HSD 2-A (not shown)  
aluminium  
with transmission block,  
for 2 functions

To find more accessories and information on Hörmann operators for garage doors and entrance gates, please see the special brochures or go to [www.hoermann.com](http://www.hoermann.com).



Hörmann automatic doors are as easy to operate as a television. Just press the button and drive into your garage while staying protected from the wind and rain. A direct entrance is also safer for you at night.



### ProMatic

The good-value starter model as an introduction to Hörmann's premium quality.

**ProMatic**  
For doors up to 5000 mm wide  
Peak force: 650 N

**ProMatic P**  
For doors up to 5500 mm wide  
Peak force: 750 N

**ProMatic Akku**  
For garages not connected to the mains  
supply and doors up to 3000 mm wide.  
Peak force: 400 N



### SupraMatic

The super-fast operator with an array of additional functions.

- Halogen lighting can be switched on/off separately
- Additional opening height for a well ventilated garage

**SupraMatic E**  
For doors up to 5500 mm wide.  
Peak force: 800 N

**SupraMatic P**  
As standard incl. photocell  
For doors up to 5500 mm wide, heavy timber doors and sectional doors with wicket doors.  
Peak force: 1000 N



**Extremely sturdy door construction**

The wide galvanized block frame and the horizontal door leaf reinforcements lend the Hörmann up-and-over door a high degree of stability.

**Simple fitting**

Complete with fixings and infinitely adjustable universal anchors, installation couldn't be easier.



## Play it safe

Reliable protection and proven safety

Hörmann up-and-over doors incorporate reliable safeguards to eliminate trap zones and prevent the door leaf from crashing to the floor. There could hardly be a safer up-and-over door. And in terms of security, the latching systems ensure that you are always on the safe side. Irrespective of whether you opt for an automatic door or a manually operated door.

## Safety Features to the European Standard 13241-1



### Unique track well

Once fully opened, the door is gently cushioned and always brought to a safe, reliable halt in the track well.

The precise rail guidance prevents the door leaf from derailing and also ensures smooth and easy door travel thanks to wear-resistant plastic rollers.



### Multiple spring safety system

In the event that one of the springs should break, the others safeguard the door.

Depending on the door size and weight, optimally dimensioned spring assemblies ensure the right level of safety: door type N80: 3-4 springs per side, door type DF98: 6-10 springs per side.

The distance between the spring windings is so small that even children's fingers are reliably protected.



### Protection against trapping

Flexible plastic rails between the door leaf and frame (no steel on steel), as well as additional protective caps over the lever arms, ensure effective protection against trapping.



### Locking from inside

When there is direct access from the garage into the home, the door can also be locked from the inside with a locking lever. The lock can be integrated in the home locking system.

### Break-in-resistant due to unique rotary catch lock

The door leaf corners are permanently attached to the frame in this type of locking system, which makes lifting the leaf out impossible.

An easy-to-install retrofit kit allows you to equip your garage door with top latching in addition.

### Well protected from all weathers

Good protection from heavy rain and air borne materials if the bottom edge of the door closes against a rebated floor. For installation with a flush floor an optional rubber weather strip is available.

## Assured quality

Hörmann up-and-over doors are tested and certified singly and also in every combination with Hörmann operators according to the high safety requirements and performance characteristics of the European Standard 13241-1.

This gives you the reassurance that your purchase of a Hörmann up-and-over door is a safe investment.

**It's worthwhile making a comparison!**



# Up-and-Over Doors

## Door types N80 and DF 98

### Sizes and fitting dimensions

N80 standard sizes for single garages (depending on door design)						Dimensions in mm			
Ordering size		Overall frame size		Clear passage dimensions*		Fitting behind the opening		Fitting in the opening	
						Recommended structural dimension (fitting area)	Recommended structural ** dimension (fitting area)	Structural dim.	
Width	Height	Width	Height	Width	Height	Width	Height	Width	Height
2250	1920	2355	1990	2110	1800	2250 (2215-2340)	1920 (1890-1950)	2375	1970
	2000	2355	2070	2110	1880	2250 (2215-2340)	2000 (1970-2030)	2375	2050
	2075	2355	2145	2110	1955	2250 (2215-2340)	2075 (2045-2105)	2375	2125
	2125	2355	2195	2110	2005	2250 (2215-2340)	2125 (2095-2155)	2375	2175
2375	1920	2480	1990	2235	1800	2375 (2340-2465)	1920 (1890-1950)	2500	1970
	2000	2480	2070	2235	1880	2375 (2340-2465)	2000 (1970-2030)	2500	2050
	2075	2480	2145	2235	1955	2375 (2340-2465)	2075 (2045-2105)	2500	2125
	2125	2480	2195	2235	2005	2375 (2340-2465)	2125 (2095-2155)	2500	2175
	2250	2480	2320	2235	2130	2375 (2340-2465)	2250 (2220-2280)	2500	2300
2500	2375	2480	2445	2235	2255	2375 (2340-2465)	2375 (2345-2405)	2500	2425
	1920	2605	1990	2360	1800	2500 (2465-2590)	1920 (1890-1950)	2625	1970
	2000	2605	2070	2360	1880	2500 (2465-2590)	2000 (1970-2030)	2625	2050
	2075	2605	2145	2360	1955	2500 (2465-2590)	2075 (2045-2105)	2625	2125
	2125	2605	2195	2360	2005	2500 (2465-2590)	2125 (2095-2155)	2625	2175
	2250	2605	2320	2360	2130	2500 (2465-2590)	2250 (2220-2280)	2625	2300
	2375	2605	2445	2360	2255	2500 (2465-2590)	2375 (2345-2405)	2625	2425
2625	2500	2605	2570	2360	2380	2500 (2465-2590)	2500 (2470-2530)	2625	2550
	2750	2605	2820	2360	2630	2500 (2465-2590)	2750 (2720-2780)	2625	2800
2750	2125	2730	2195	2485	2005	2625 (2590-2715)	2125 (2095-2155)	2750	2175
	2000	2855	2070	2610	1880	2750 (2715-2840)	2000 (1970-2030)	2875	2050
3000	2125	2855	2195	2610	2005	2750 (2715-2840)	2125 (2095-2155)	2875	2175
	2000	3105	2070	2860	1880	3000 (2965-3090)	2000 (1970-2030)	3125	2050
3000	2125	3105	2195	2860	2005	3000 (2965-3090)	2125 (2095-2155)	3125	2175

DF 98 standard sizes for double garages (depending on door design)						Dimensions in mm			
Ordering size		Overall frame size		Clear passage dimensions*		Fitting behind the opening		Fitting in the opening	
						Recommended structural dimension (fitting area)	Recommended structural ** dimension (fitting area)	Structural dim.	
Width	Height	Width	Height	Width	Height	Width	Height	Width	Height
4000	2000	4096	2073	3840	1820	4000 (3955-4075)	2000 (1960-2020)	4116	2043
	2125	4096	2198	3840	1945	4000 (3955-4075)	2125 (2085-2145)	4116	2168
4500	2000	4596	2073	4340	1820	4500 (4455-4575)	2000 (1960-2020)	4616	2043
	2125	4596	2196	4340	1945	4500 (4455-4575)	2125 (2085-2145)	4616	2168
	2250	4596	2323	4340	2070	4500 (4455-4575)	2250 (2210-2270)	4616	2293
5000	2000	5096	2073	4840	1820	5000 (4955-5075)	2000 (1960-2020)	5116	2043
	2125	5096	2196	4840	1945	5000 (4955-5075)	2125 (2085-2145)	5116	2168

#### Doors with renovation panel

In the width the structural dimension may not be reduced by more than 10 mm. In the case of a stepped floor, the recommended structural height may not be reduced by more than 10 mm. For garage doors with a finished flat floor line (frame stands on FFL), 30 mm should be added to the recommended structural height.

#### Please note

- \* Clear passage dimensions (door with stepped floor)
- \*\* Taking an additional 30 mm (with N80 door) and 40 mm (with DF98 door) bottom stop into consideration.

Width: ordering size minus 140 mm (160 mm for DF 98 door)  
 Height: ordering size minus 120 mm (180 mm for DF 98 door)  
 Height: ordering size minus 135 mm for design 905 (200 mm for DF 98 door)  
 Height: 30 mm more passage (with flat floor) (25 mm with DF98 door)





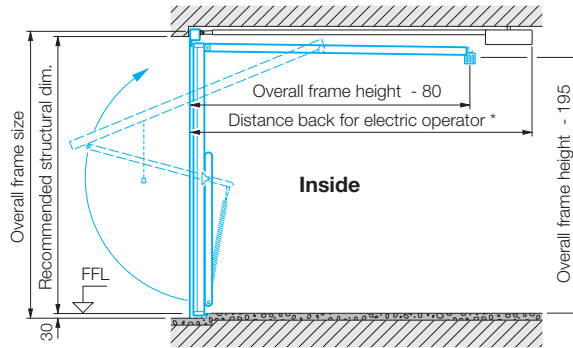
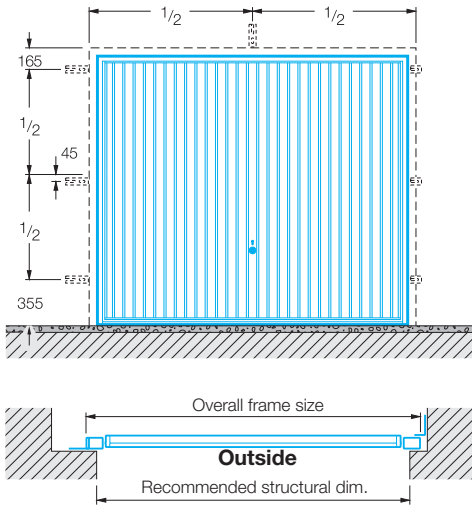
# Up-and-Over Doors

## Door type N80 for single garages

### Fitting dimensions

#### Position of anchors

#### Dimensions in mm

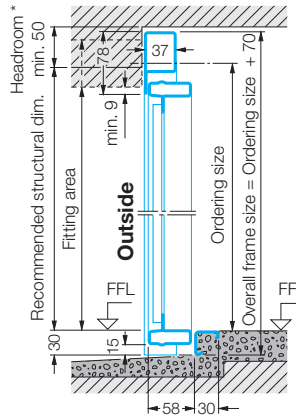
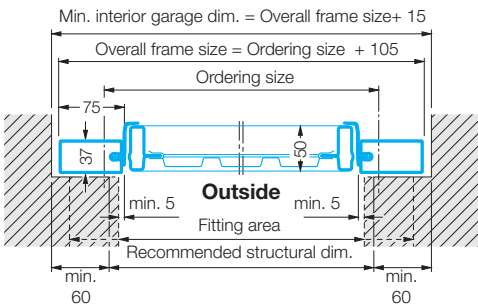


\* Distance back for electric operators:  
 3200 mm up to door height 2500 mm ProMatic/SupraMatic  
 3450 mm up to door height 2750 mm ProMatic/SupraMatic

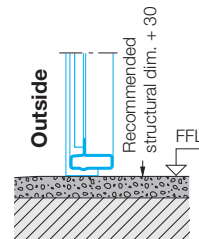
#### Fitting behind the opening

#### Door with stepped floor

#### Door with flat floor



The structural height recommended in the table (page 32) must be increased by 30 mm.



The recommended structural dimensions are recommended planning dimensions. Minimum sideroom, headroom and opening sizes are all based on these dimensions.

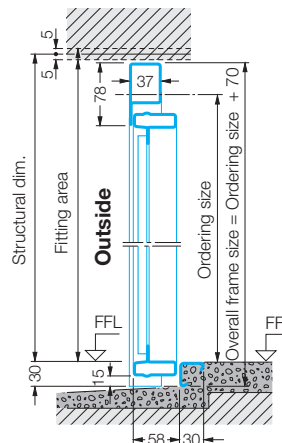
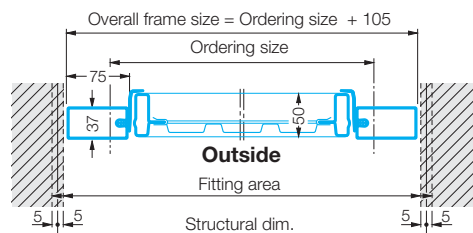
#### With ProMatic/SupraMatic operator

\* No additional headroom required.  
 Exception: Designs 905, 941, designs with timber infill = 15 mm clearance.

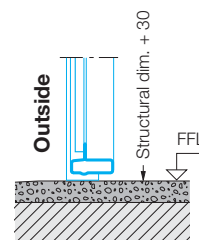
#### Fitting in the opening

#### Door with stepped floor

#### Door with flat floor



The structural height stated in the table (page 32) must be increased by 30 mm.



Fitting in the opening requires that the given dimensions be adhered to with greater accuracy, particularly where standard-sized doors are concerned. Special-sized doors are purpose-built for the existing structural opening.

#### With ProMatic/SupraMatic operator

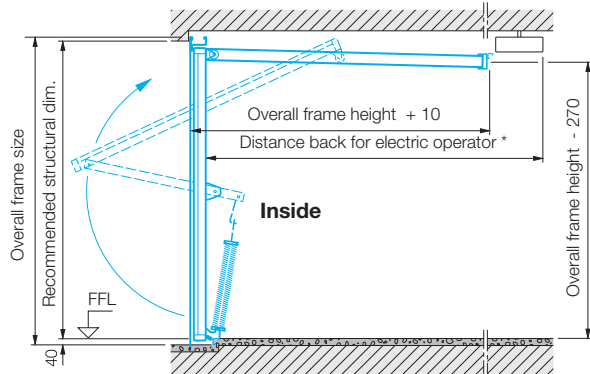
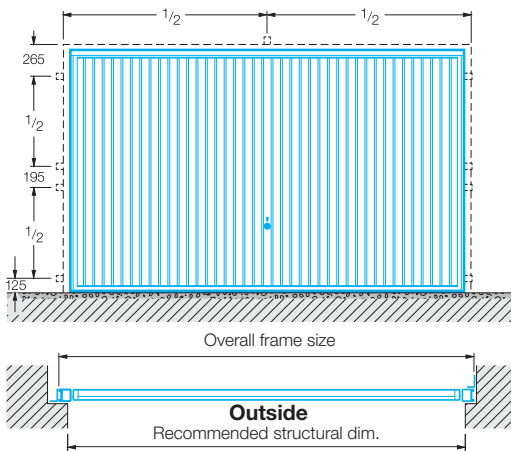
No additional headroom required.  
 Exception: designs 905, 941, designs with timber infill = 15 mm clearance.

# Up-and-Over Doors

## Door type DF 98 for double garages

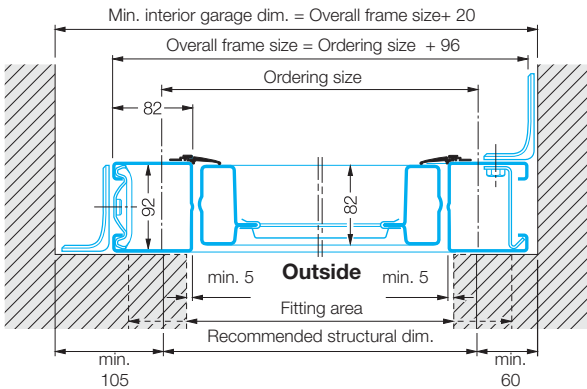
### Fitting details

**Position of anchors** **Dimensions in mm**

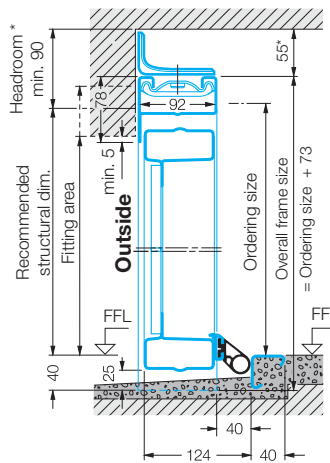


\* Distance back for electric operators:  
 3200 mm up to door height 2500 mm ProMatic/SupraMatic  
 3450 mm up to door height 2750 mm ProMatic/SupraMatic

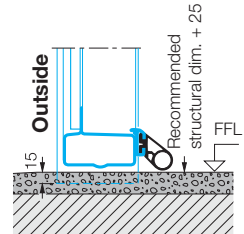
**Fitting behind the opening** **Door with stepped floor** **Door with flat floor**



The recommended structural dimensions are recommended planning dimensions. Minimum sideroom, headroom and opening sizes are all based on these dimensions. Note for standard sizes: if the sideroom lies in the 60 mm to 105 mm range, this must be stated on the order.

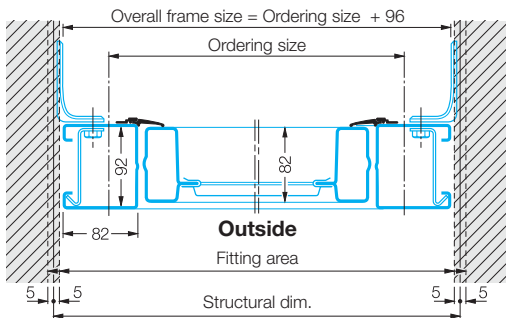


The structural height recommended in the table (page 32) must be increased by 25 mm.

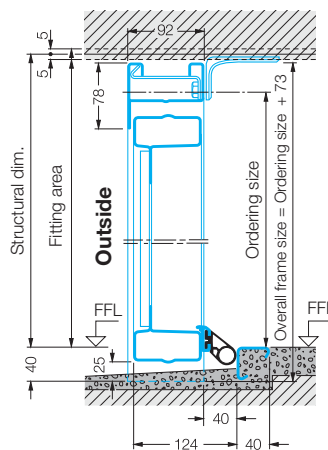


**With ProMatic/SupraMatic operator**  
 \* 65 mm clearance

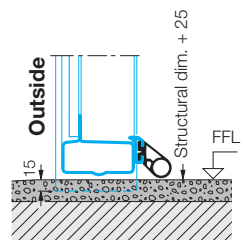
**Fitting in the opening** **Door with stepped floor** **Door with flat floor**



Fitting in the opening requires that the given dimensions be adhered to with greater accuracy, particularly where standard-sized doors are concerned. Special-sized doors are purpose-built for the existing structural opening.



The structural height recommended in the table (page 32) must be increased by 25 mm.



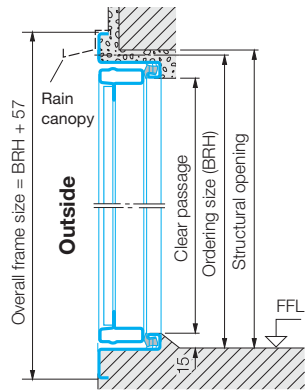
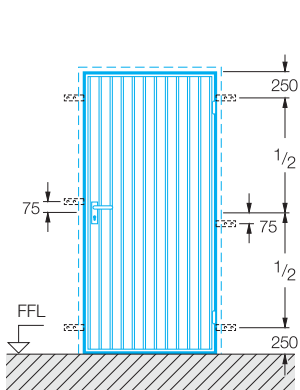
**With ProMatic/SupraMatic operator**  
 65 mm clearance

# Up-and-Over Doors

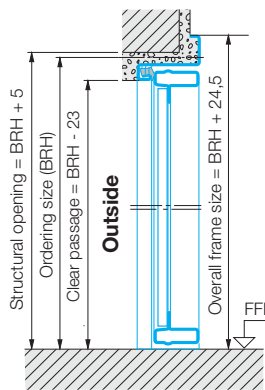
## Garage side doors

### Sizes and fitting dimensions

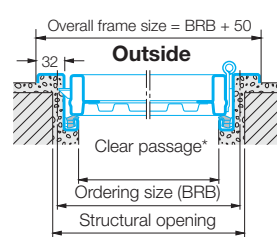
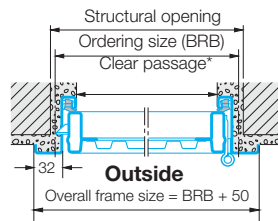
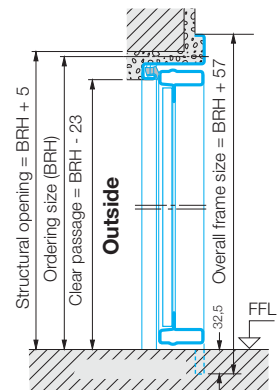
#### Single-leaf / Spacing of anchors



#### Door without threshold A



#### Door without threshold B

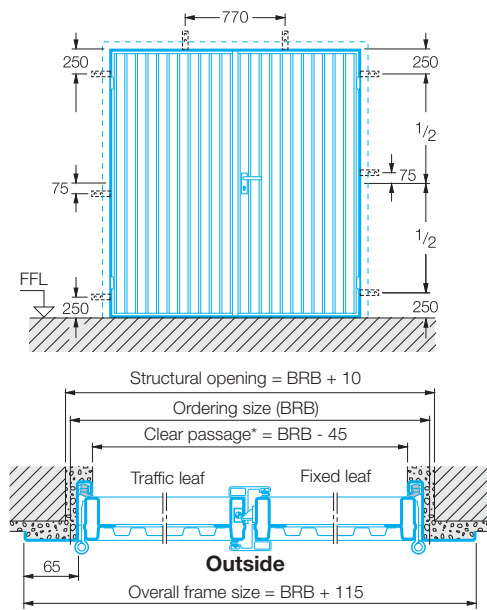


\* With an opening angle of less than 170°, the clear passage width is reduced.

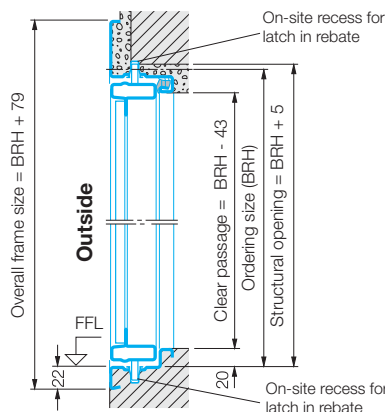
For doors with a stepped floor, opening outwards, the ordering height is always measured from the finished floor line of the deeper floor.

Designs 902 and 905 in standard sizes can be LH or RH hinged.

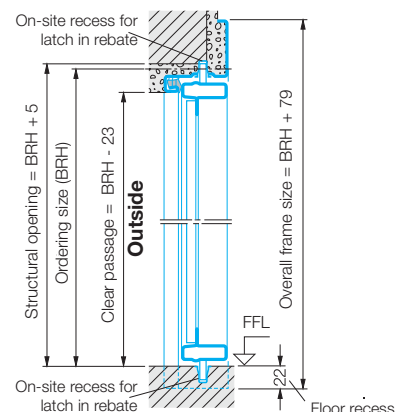
#### Double-leaf / Spacing of anchors



#### Door with flat floor



#### Door with stepped floor



#### Size range for double-leaf doors

Width (ordering size): 1300 to 2500 mm  
Height (ordering size): 1750 to 2250 mm

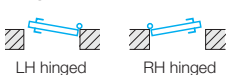
\* With an opening angle of less than 170°, the clear passage width is reduced.

Block frame for fitting into the opening: dimensions and versions on request.

Supplied as standard for external fitting (opening outwards), traffic leaf on right. If internal fitting (opening inwards) or traffic leaf on left required, state on order!

#### Fitting versions

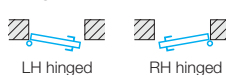
##### Single-leaf



##### Double-leaf



##### Single-leaf



##### Double-leaf



#### External fitting

With threshold profile.

#### Internal fitting

For internally fitted doors, the weather bar/transport angle should always be removed. Adequate water drainage to the outside must then be ensured. For doors on the weather side, external fitting is preferable.

# Up-and-Over Doors

## Door type F80 for ready-built garages

### Renovation sizes and fitting dimensions

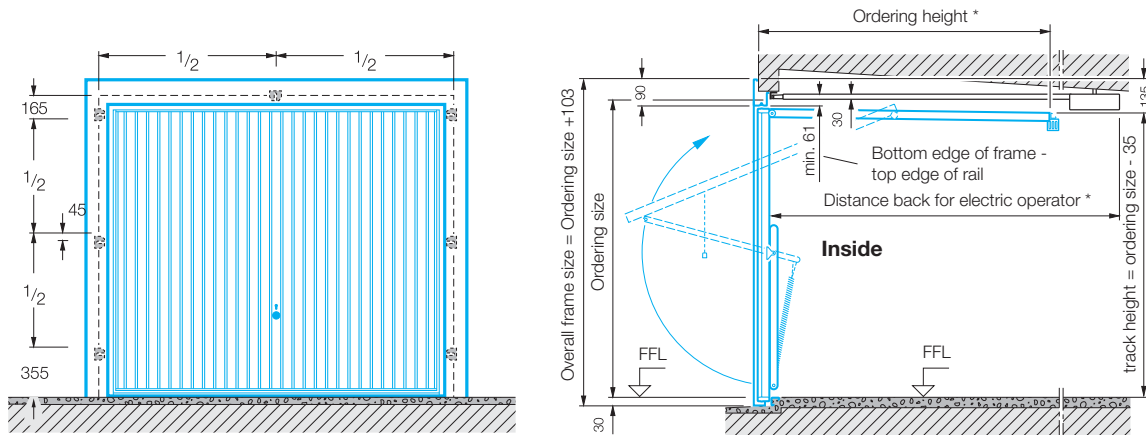
#### Door sizes for concrete garages with an externally fitted door Dimensions in mm

Ordering size Width x height	Clear structural dimension* (fitting area) Width x height	Overall frame size	Clear passage Width x height
2375 x 2045	2449 - 2489 x 2088 - 2108	2509 x 2148	2235 x 1925
2375 x 2075	2449 - 2489 x 2118 - 2138	2509 x 2178	2235 x 1955
2425 x 2075	2499 - 2539 x 2118 - 2138	2559 x 2178	2285 x 1955
2485 x 2045	2559 - 2599 x 2088 - 2108	2619 x 2148	2345 x 1925
2500 x 2075	2574 - 2614 x 2118 - 2138	2634 x 2178	2360 x 1955
2500 x 2100	2574 - 2614 x 2143 - 2163	2634 x 2203	2360 x 1980
2560 x 2125	2634 - 2674 x 2168 - 2188	2694 x 2228	2420 x 2005
2570 x 2125	2644 - 2684 x 2168 - 2188	2704 x 2228	2430 x 2005
2590 x 2075	2664 - 2704 x 2118 - 2138	2724 x 2178	2450 x 1955
2590 x 2125	2664 - 2704 x 2168 - 2188	2724 x 2228	2450 x 2005
2705 x 2125	2779 - 2819 x 2168 - 2188	2839 x 2228	2565 x 2005
2715 x 2075	2789 - 2829 x 2118 - 2138	2849 x 2178	2575 x 1955
2720 x 2200	2794 - 2834 x 2243 - 2263	2854 x 2303	2580 x 2080
2730 x 2125	2804 - 2844 x 2168 - 2188	2864 x 2228	2590 x 2005

#### Door sizes for standard-sized garages in the newly-formed German states Dimensions in mm

2325 x 1905	2399 - 2439 x 1948 - 1968	2459 x 2008	2185 x 1785
2455 x 1905	2529 - 2569 x 1948 - 1968	2589 x 2008	2315 x 1785
2350 x 1935	2424 - 2464 x 1978 - 1998	2484 x 2038	2210 x 1815
2480 x 1935	2554 - 2594 x 1978 - 1998	2614 x 2038	2340 x 1815

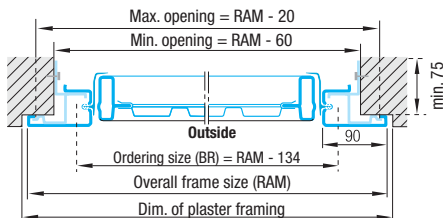
#### Position of anchors Dimensions in mm



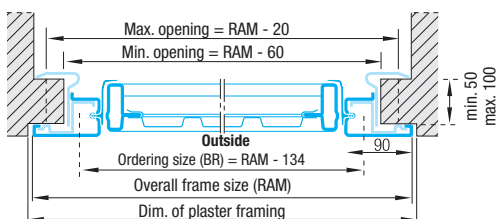
\* Distance back for electric operator ProMatic/SupraMatic 3200 mm up to door height 2500 mm

#### Building structure with/without plaster framing with stepped floor with flat floor

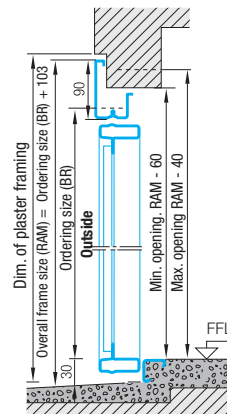
##### Plug-and-screw fixing from 75 mm jamb depth



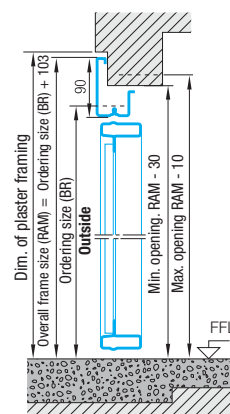
##### Clamping at least 50 mm, max. 100 mm jamb depth



##### with stepped floor



##### with flat floor



\* Taking into account an additional 30mm below threshold